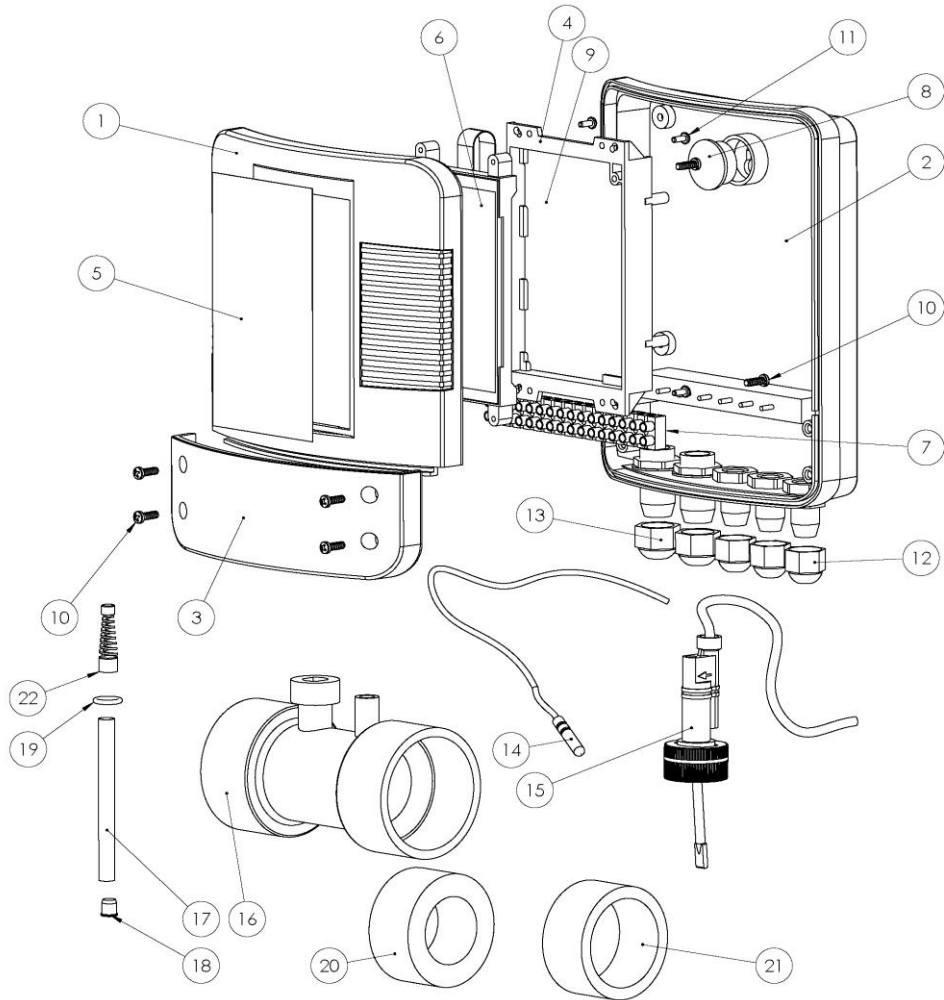


Poolsmart plus

SPARE PART LISTS



PoolSmart



Item No.:	Description:	Pcs/Unit:	Product Code:	GBP RRP (£)	EUR RRP (€)	USD RRP (\$)
1	PoolSmart Plus T/S Front Cover (Blue)	1	Z-IM-SR-C-FC-PS	15.70	18.06	21.98
2	Controller Enclosure	1	Z-IM-SR-C-ENC	26.75	30.76	37.45
3	PoolSmart Plus Access Cover (Blue)	1	Z-IM-SR-C-AC-PS	12.45	14.32	17.43
4	Digital Controller Mounting Bracket	1	Z-IM-OC-DIG-MB	10.80	12.42	15.12
5	Poolsmart Plus Touchscreen Controller Overlay	1	Z-LAB-PS-PLUS	15.70	18.06	21.98
6	Replacement Touch Screen Display	1	SP-PCB-BMS-TS	73.00	83.95	102.20
7	12-Way 1.5mm2 Ensto Terminal Block	1	Z-MIS-TB1.5MM2	13.25	15.24	18.55
8	Controller Enclosure Blanking Disc	1	Z-IM-SR-C-BD	3.80	4.37	5.32
9	Replacement Touch Screen controller PCB	1	SP-PCB-BMS	143.05	164.51	200.27
10	M4 x 25-mm Zinc Coated Pozi Pan Screw	8	Z-FIX-M4X25	1.60	1.84	2.24
11	M3 x 12 -mm FLG Pozi Zinc Coated	4	Z-FIX-M3X12-FLG	1.60	1.84	2.24
12	Black PG9 Cable Entry Gland	3	Z-CON-CEG-PG9BK	8.10	9.32	11.34
13	Black PG11 Cable Entry Gland	2	Z-CON-CEG-PG11BK + Z-CON-CEG-PG11NUT	14.35	16.50	20.09
14	3-m NTC Temperature Sensor	1	Z-MIS-NTC-3000	44.35	51.00	62.09
15	Flow Switch	1	SP-107-PS	48.15	55.37	67.41
16	ABS Pool / Pond Smart T-Piece	1	Z-IM-TP	27.60	31.74	38.64
17	7-mm OD / 6.2-mm ID Titanium Tube	1	Z-TUB-TI7-60			
18	EPDM Stat Pocket Bung 7mm OD	1	Z-IM-GSK-BUNG-7MM			
19	7mm ID x 2mm T-Piece O-Ring	1	Z-ORS-TP			
20	1.5" ABS T-Piece Insert Reducer	1	Z-IM-TP-1.5"	8.10	9.32	11.34
21	50mm ABS T-Piece Insert Reducer	1	Z-IM-TP-50MM	8.10	9.32	11.34
22	M12 Spiral Locknut	1	Z-FIX-M12SLN	5.70	6.56	7.98



Improving pools *globally*

11 Gunnels Wood Park, Gunnels Wood Road,
Stevenage, Hertfordshire, SG1 2BH, UK

Tel: +44 1438 749 474

Email: sales@elecro.co.uk

Web: www.elecro.co.uk

We reserve the right to change all or part of the features of the articles
or contents of this document, without prior notice.

SPL151-EN-Poolsmart Spare Parts List V3-01.01.2023-Elecro