

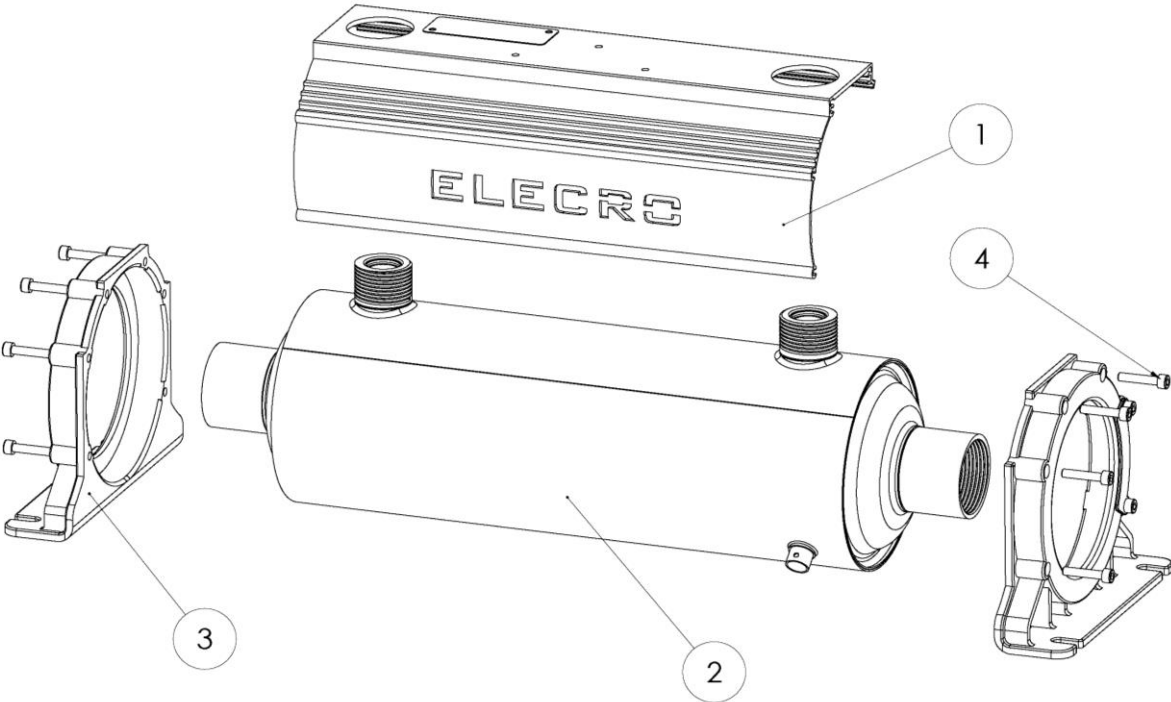
# Escalade

## SPARE PART LISTS



**ELECRO**  
ENGINEERING

# Escalade



Item No.:	Description:	Pcs/Unit:	Product Code			GBP RRP (£)		
			WHE-30	WHE-40	WHE-75	WHE-30	WHE-40	WHE-75
1	Welded H/E Extruded Shell	1	Z-SMW-WHE-318	Z-SMW-WHE-366	Z-SMW-WHE-610	30.30	33.55	43.25
2	Powder Coated Body of Titanium Welded H/E	1	X-WHE-30	X-WHE-40	X-WHE-75	378.50	454.20	540.80
3	Welded Heat Exchanger Foot Bracket	2	Z-IM-HE-W-F			14.60		
4	M5x30-mm S/S Socket Cap	8	Z-FIX-M5X30SC			5.70		

Item No.:	Description:	Pcs/Unit:	Product Code			EUR RRP (€)		
			WHE-30	WHE-40	WHE-75	WHE-30	WHE-40	WHE-75
1	Welded H/E Extruded Shell	1	Z-SMW-WHE-318	Z-SMW-WHE-366	Z-SMW-WHE-610	34.85	38.58	49.74
2	Powder Coated Body of Titanium Welded H/E	1	X-WHE-30	X-WHE-40	X-WHE-75	435.28	522.33	621.92
3	Welded Heat Exchanger Foot Bracket	2	Z-IM-HE-W-F			16.79		
4	M5x30-mm S/S Socket Cap	8	Z-FIX-M5X30SC			6.56		

Item No.:	Description:	Pcs/Unit:	Product Code			USD RRP (\$)		
			WHE-30	WHE-40	WHE-75	WHE-30	WHE-40	WHE-75
1	Welded H/E Extruded Shell	1	Z-SMW-WHE-318	Z-SMW-WHE-366	Z-SMW-WHE-610	42.42	46.97	60.55
2	Powder Coated Body of Titanium Welded H/E	1	X-WHE-30	X-WHE-40	X-WHE-75	529.90	635.88	757.12
3	Welded Heat Exchanger Foot Bracket	2	Z-IM-HE-W-F			20.44		
4	M5x30-mm S/S Socket Cap	8	Z-FIX-M5X30SC			7.98		



**ELECRÓ**  
ENGINEERING


Improving pools *globally*

11 Gunnels Wood Park, Gunnels Wood Road,  
Stevenage, Hertfordshire, SG1 2BH, UK

Tel: +44 1438 749 474

Email: [sales@elecra.co.uk](mailto:sales@elecra.co.uk)

Web: [www.elecra.co.uk](http://www.elecra.co.uk)



We reserve the right to change all or part of the features of the articles  
or contents of this document, without prior notice.

SPL1-EN-ESCALADE SPARE PARTS LIST V3-01.01.2023